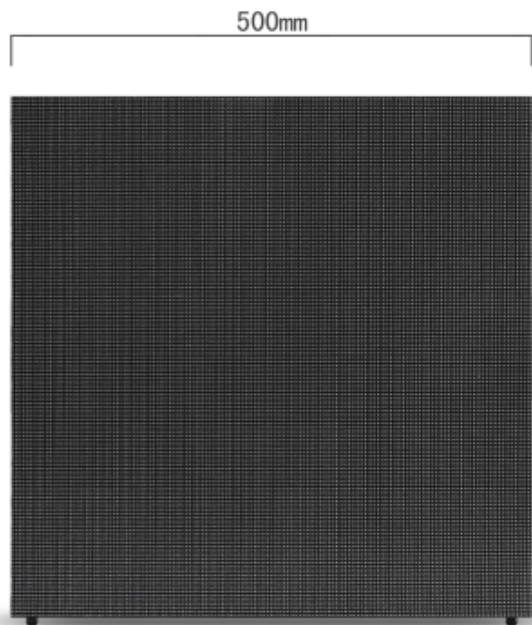


# AX2/3

- Aluminum-magnesium alloy frame, strong and light weight.
- Magnetic modules can be easily separated from frame.
- Tool-free replacement of power and data pack enabling fast on-site service.
- Calibrating data stored on each module, the modules can be inter-changed freely.
- Spring plunger positioning plus magnets on the frame ensuring quick and easy installation.

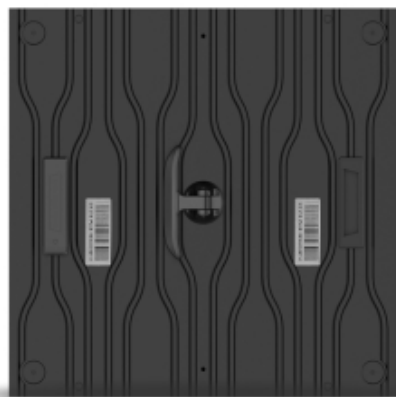




## Technical Specifications:

PARAMETERS	AX2	AX3
PIXEL PITCH	2.9mm	3.4mm
PANEL RESOLUTION	168x168 dots	144x144 dots
LED QUANTITY/PANEL	28224 dots	20736 dots
PIXEL CONFIGURATION	SMD3-IN-1	
BRIGHTNESS	1000 nits	1300 nits
REFRESH RATE	3840 Hz	
GREY SCALE	16 bit	
BRIGHTNESS ADJUSTMENT	256 levels	
CONTRAST	2000:1	
PANEL DIMENSION	500x500x115 mm	
PANEL AREA	0.25 m <sup>2</sup>	
PANEL WEIGHT	9.5 kg	
AVERAGE POWER CONSUMPTION	100 W	
VIEWING ANGLE	140°/110°	
SHORTEST VIEWING DISTANCE	3 m	4 m
TENURE LIFE OF LAMP (50% BRIGHTNESS)	>50,000 hours	
OPERATING TEMPERATURE	-10°C ~ +40°C	
RELATIVE HUMIDITY	10% ~ 90%	
IP RATING	IP43	
INPUT POWER	AC110V-240V 50/60Hz	
DRIVE MODE	Constant current	
OPERATING SYSTEM	Windows2000/XP/Vista/Windows7/Windows8	
SIGNAL TYPE (ADOPTING VIDEO PROCESSOR)	AV, S-Video, VGA, CVBS, HDMI, DVI, SDI	
CONTROL DISTANCE	HSYV<100m	
CERTIFICATES	TUV-RH, CE, FCC, ETL	





LED Module



Power and Data Box



Frame



Panel

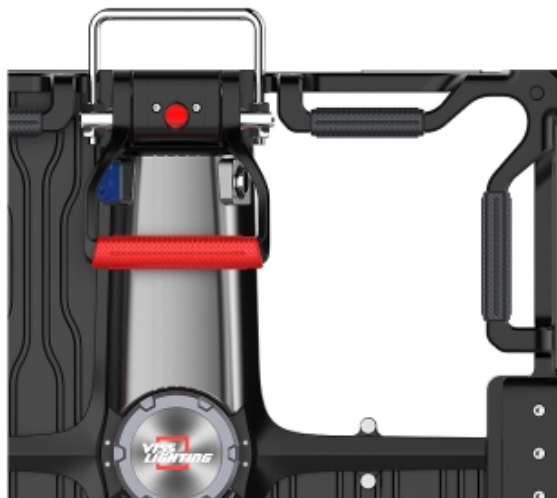




## LED module dismantle and installation:

### 1. LED module dismantlement

- Loose the safety screw on module, push forward to separate module from frame.
- Rotate module 45°, remove it from the back of the panel.



### 2. LED module installation

- Rotate the module 45° to the front of panel.
- Pulling the handle to align the module.
- Lock the safety screws on module.

